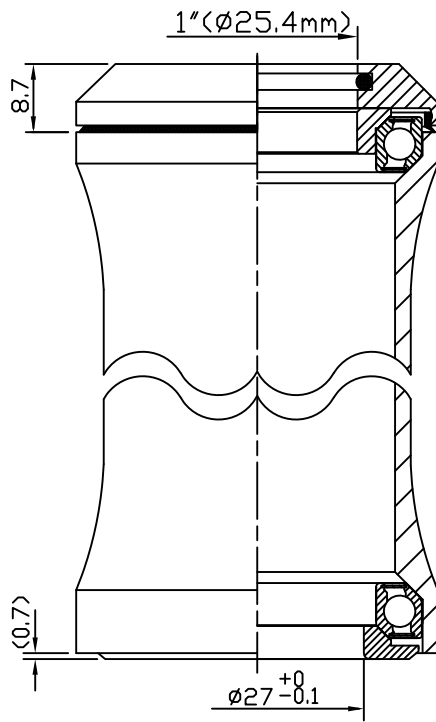


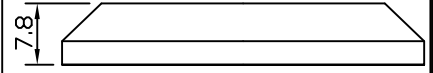
HEAD TUBE(頭管)



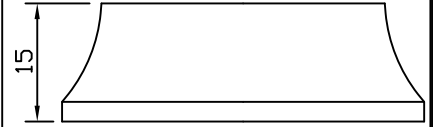
堆積高度(STACK HEIGHT)=9.4±1mm

可選配之上塞高度
(TOP COVER IS OPTIONAL)

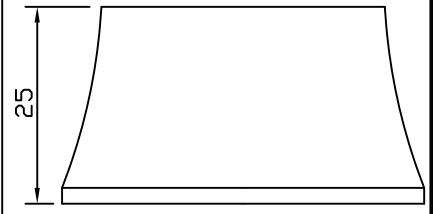
型號(MODEL NO.): H05



型號(MODEL NO.): H05M



型號(MODEL NO.): H05H



NO.	零件名稱 PART NAME	材質 MATERIAL	圖號 DRAWING NO.	台量 Q'TY	尺寸 DIM. DESCRIPTION
1	O形圈 O-RING	橡膠 NBR	121-8	1	ID25.3xø2
2	鋁上塞 TOP COVER	鋁合金 6061/T6	05-3	1	1"
3	防塵蓋 UPPER WATER SEAL	橡膠 NBR	51-0	1	
4	鋁斜管 COMPRESSION RING	鋁合金 6061/T6	05-2	1	1"
5	密封式軸承 AC SEALED BEARING	軸承鋼 SUJ2	NHB-6B	2	OD41.8x45°x45°
6	鋁下塞 CROWN RACE	鋁合金 7075/T6	05-6	1	ø27±0.1

- 全隱藏式車頭碗組
- 1" (25.4mm) 無牙式前叉立管
- 建議車頭管外徑=46mm(建議值)
- 鋁合金(6061)上塞
- 鋁合金(7075)下塞(內徑27mm)
- 密封式軸承

- Full-integrated headset
- For 1" threadless steerer
- Headtube OD. = 46mm
- 6061/T6 cnc machined top cover with seal
- 7075/T6 cnc machined crown race (inner diameter 27mm)
- Angular contact sealed bearings

單位 UNIT	mm	比例 SCALE	1:1	日期 DRAWING DATE	2001.03.09	角法 VIEW	
型號 ITEM NO.	NECO 51S/51MS/51HS						版次(REV):A
品名 PART NAME	H51S/H51MS/H51HS 組立圖(Assembly drawing)						
規格 DIMENSION	1" x46x27						
圖號 PART NO.	H51S(H51MS/H51HS)-組立圖-A						



誌慶工業股份有限公司